

INSTALLATION GUIDE

Draw wire sensor series FX

For further information please see the data sheet at www.waycon.biz/products/draw-wire-sensors/

FIRST STEPS

WayCon Positionsmesstechnik GmbH would like to thank you for the trust you have placed in us and our products. This manual will make you familiar with the installation and operation of our draw wire sensors. Please read this manual carefully before initial operation!

Unpacking and checking:

Carefully lift the device out of the box by grabbing the housing. Do not pull the rope. After unpacking the device, check it for any visible damage as a result of rough handling during the shipment. Check the delivery for completeness.

If necessary consult the transportation company, or contact WayCon directly for further assistance.

MOUNTING OF THE SENSOR

Mount the sensor at the designated place before extracting the rope and before attaching the rope to the measuring target.

The transducer may be mounted on both sides. Mount unit with two M3 pan head machine screws. Place flat washers under the head of each screw. Tighten screws to 0.32 Nm maximum.

After mounting the FX sensor in its place, carefully tear the wire rope out of the sensor (do not let the wire rope snap back!) and attach it to the target.

Eye fitting version: The eyelet at the end of the wire rope can be pulled onto a hook or be fixed to the target using a screw. Do not bend the wire rope leaving the eyelet.

Leader wire rope version: Fix the leader wire to the clip using the crimp ferrules. Be careful not to damage the wire while crimping. The clip at the end of the wire rope can be pulled e. g. onto a hook.

HANDLING THE WIRE ROPE

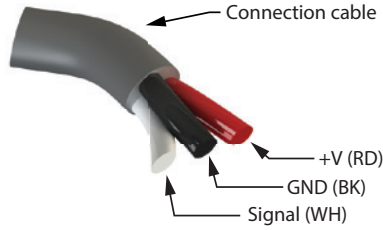
- When installing or operating the sensor, take care not to let the rope snap back by mistake or extract the rope over the specified measurement range, as this might destroy the sensor.
- The rope must be extracted from the sensor vertically. The maximum variation from the vertical is 2°. Avoid extracting the rope at an inclination, since the durability of the instrument would shorten considerably. If it is not possible to keep the limit of 2°, a deflection pulley has to be used.
- Guide the rope preferably in corners or guarded in channels to prevent pollution or accidental touch.
- Avoid guiding the rope over edges or corners. Use a deflection pulley instead.
- Do not operate the sensor if the rope is buckled or damaged. A ripping of the rope may lead to injuries or a damaging of the sensor.

ELECTRICAL CONNECTION

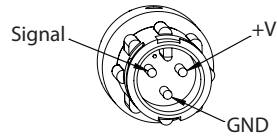
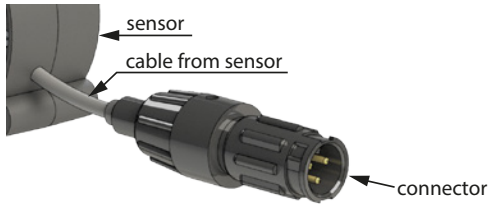
General information

Warm-up time: 5 min
Power supply: 4.9...30 VDC
Output signal: 0...9.9 VDC (± 0.1)
Excitation current: max. 30 mA

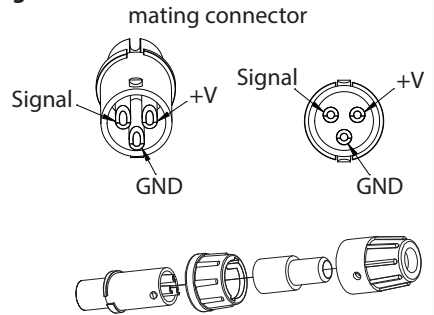
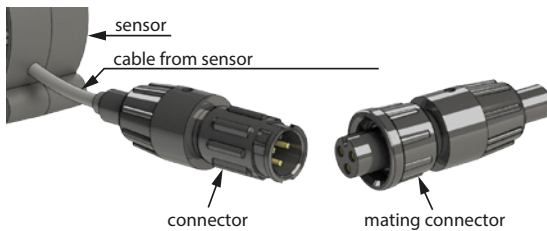
FX with cable output, open ends



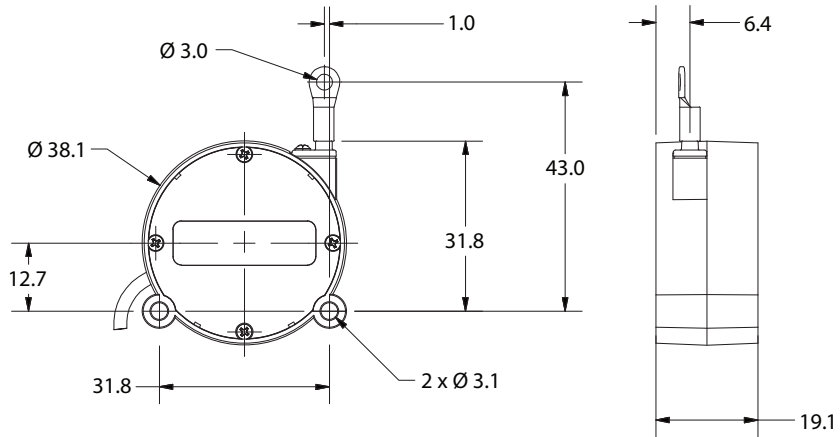
FX with cable output, connector at cable end



FX with cable output, connector at cable end with mating connector



TECHNICAL DRAWING



MEASUREMENT RANGE

All measurement ranges of model FX-HM are equipped with wire rope that will extend slightly beyond 380 mm. Typically the primary usable range is considered to be the initial travel with the eye fitting just off of its home position. However, with several of the shorter ranges, the wire rope may be extended through the first range and then repeated with further extension.

No adjustment of the output is available on the transducer. With the eye fitting resting on the wire rope guide the output voltage will be slightly negative. Extraction of the wire rope will increase the output voltage to the zero position. This will usually happen within the first 1 mm of wire rope travel. The official wire rope travel range begins when the voltage output reaches the zero point. From this point extending the wire rope to the full length of the designated measurement range for the transducer will result in an output voltage between 9.8 and 10.0 VDC.



MAGNETIC FIELDS

Model FX-HM employs a hall effect device which produces an output signal that is proportional to the field strength of an internal magnet. Thus, the presence of an external magnet with field strength of 1 mT or greater measured on the side of the unit opposite the wire rope exit can have a minor effect on the output of the unit. The output may shift by several mV. As long as the magnet is stationary the linearity of the unit will not be affected with magnetic field strengths up to 6 mT. However, if the magnet moves (i. e. a fluctuating external magnetic field), a fluctuation in the electrical output will also be noticed. For best results, model FX-HM should be used in the absence of external magnets. As a side note, the FX-HM is not affected by the presence of ferrous material.

DECLARATION OF EU-CONFORMITY

WayCon Positionsmesstechnik GmbH
Mehlbeerenstrasse 4
82024 Taufkirchen / Germany

This is to certify that the products

Classification
Product series

draw wire sensors
FX

fulfill the current request of the following EU-directives:
EMC-directive 2004/108/EC (until April 19th, 2016)
2014/30/EU (from April 20th, 2016)

applied harmonized standards:
IEC 61326-1:2013

The declaration of conformity loses its validity if the product is misused or modified without proper authorisation.

Taufkirchen, 24.02.2016

Andreas Täger
CEO