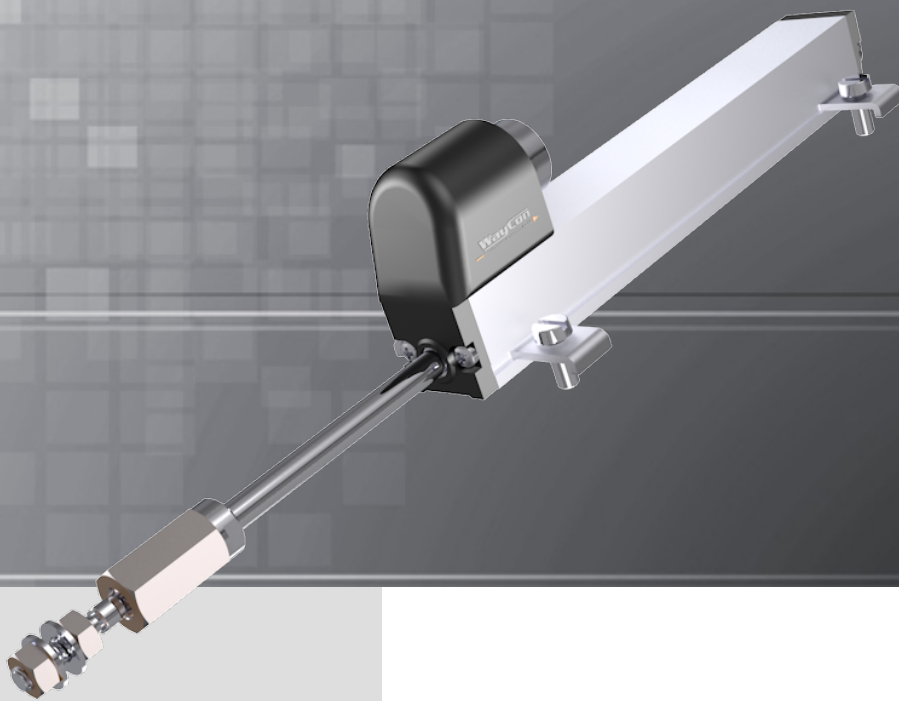


LINEAR POTENTIOMETER



Content:

Technical Data2
Technical Drawing3
Electrical Connection3
Accessories4
Order Code4

Series LRW1

Key-Features:

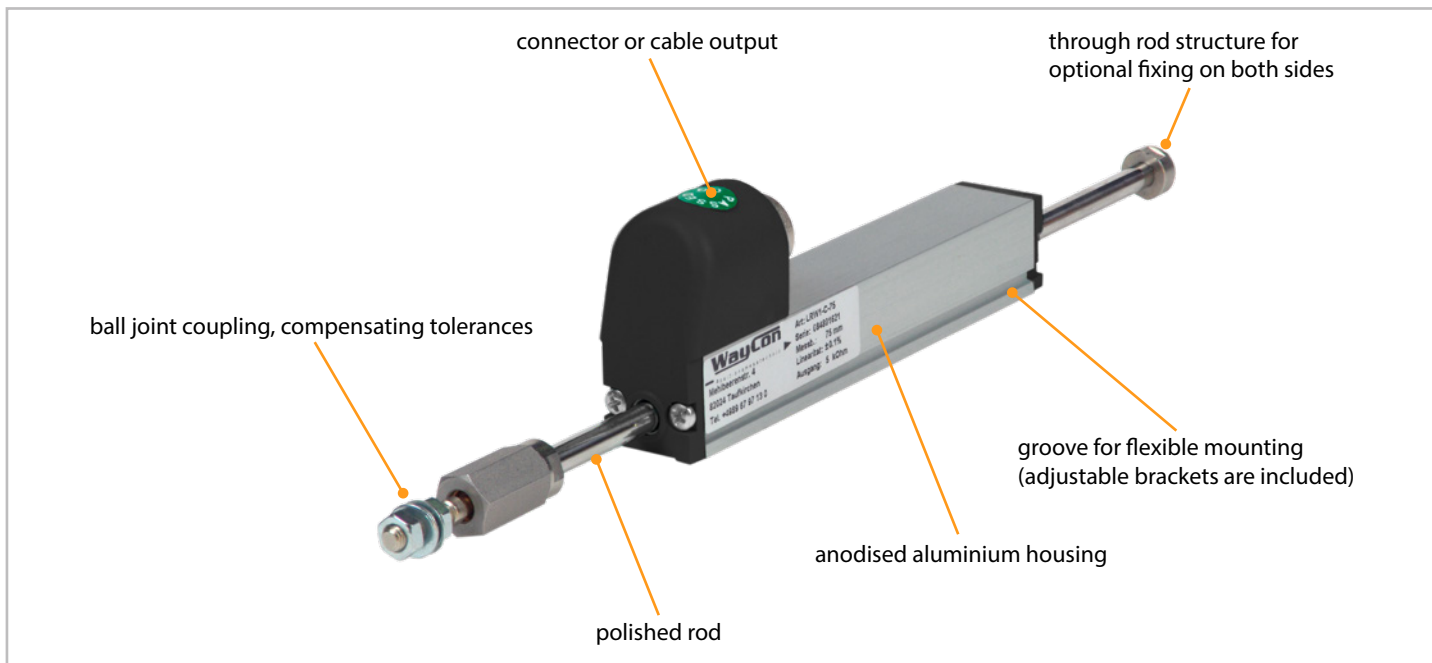
- Compact rectilinear displacement transducer
- Available measurement ranges from 25 to 150 mm
- Through-rod structure with double rod support, guaranteeing greater overall strength of the sensor
- Displacement speed up to 10 m/s
- Linearity up to $\pm 0.05\%$
- Working temperature $-30\dots+100\text{ }^{\circ}\text{C}$
- Life cycle $>25 \times 10^6 \text{ m}$, or $>100 \times 10^6$ operations, whichever is less
- Simple apparatus according to the EN 60079-11

TECHNICAL DATA

Measurement range MR	[mm]	25	50	75	100	150
Linearity	[%]	±0.2	±0.1		±0.07	±0.05
Resolution		theoretical infinite, depends on the signal quality of the reference respectively supply voltage				
Displacement force typical	[N]	<0.3				
Displacement speed	[m/s]	≤10				
Resistance	[kΩ]	1	5			
Tolerance on resistance	[%]	±20				
Dissipation at 40 °C (0 W at 120 °C)	[W]	0.6	1.2	1.8	2.5	3.6
Applicable voltage max.	[V]	25	60			
Recommended cursor current	[µA]	<0.1				
Cursor current max.	[mA]	10				
Electrical isolation		>100 MΩ at 500 VDC, 2 s, 1 bar				
Dielectric strength		<100 µA at 500 VAC, 50 Hz, 2 s, 1 bar				
Protection class		IP40				
Operating temperature	[°C]	-30...+100				
Storage temperature	[°C]	-50...+120				
Temperature coefficient output voltage	[ppm/°C]	<1.5				
Vibration resistance		5...2000 Hz, $A_{max} = 0.75$ mm, $a_{max} = 20$ g				
Shock resistance		50 g, 11 ms				
Life cycle		>25 x 10 ⁶ m or >100 x 10 ⁶ operations (whichever is less)				
Connection		cable output, 3 poles or connector output, 5 pins				
Rod		stainless steel, ASIS 303				
Housing		anodised aluminium, Nylon 66 G 25				
Mounting		PKIT005 (4 small brackets) ¹⁾ / optional: PKIT006 (2 large brackets)				

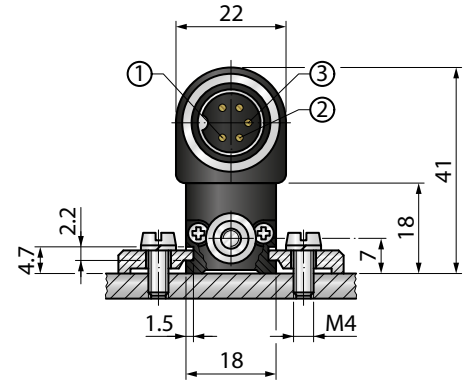
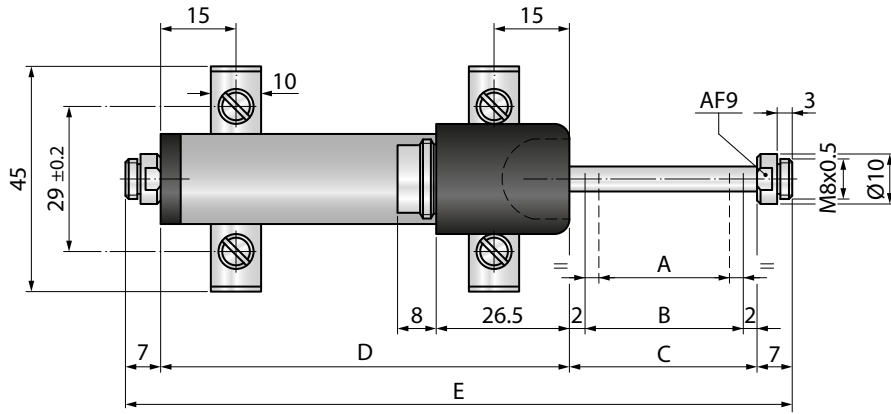
¹⁾ included in scope of delivery. PKIT005 includes 4 small brackets, screws M4x10 and growers

OVERVIEW OF FEATURES

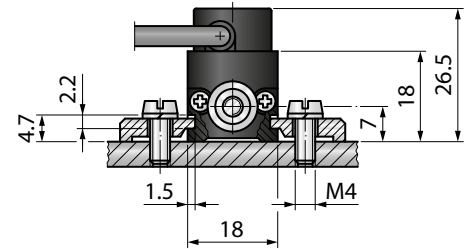
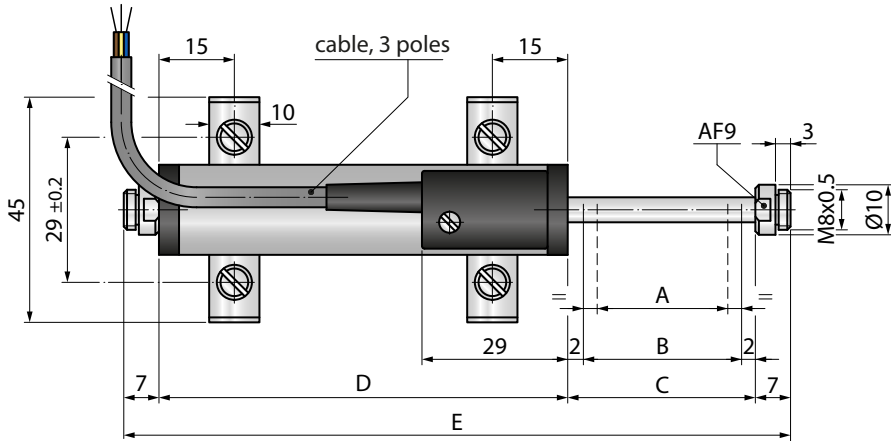


TECHNICAL DRAWING

LRW1-C

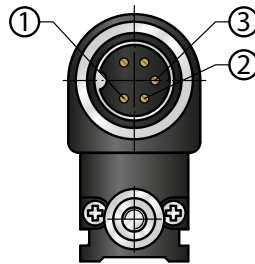
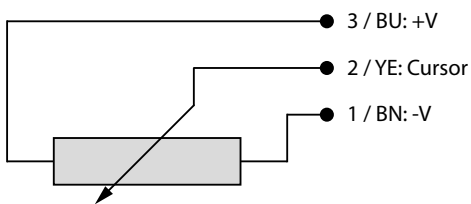


LRW1-F



Measurement range / useful electrical stroke +3/-0	A	25	50	75	100	150
Theoretical electrical stroke ±1	B	26	51	76	101	151
Mechanical stroke	C	30	55	80	105	155
Housing length	D	63	88	113	138	188
Overall length	E	107	157	207	257	357

ELECTRICAL CONNECTION



CON011: Mating connector for LRW1-C
for self assembly, IP40, 5 poles,
cable diameter Ø4...6 mm



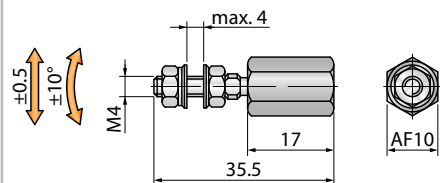
Installation notes:

- Do **NOT** use the sensor as a variable resistor!
- While calibrating the sensor set the stroke so that the output signal does not drop below 1 % or exceed 99 % of the supply voltage.

ACCESSORIES

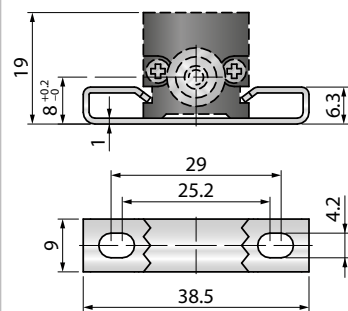
PKIT020: joint coupling

1 pc. included in delivery



PKIT006: mounting brackets

2 pcs. + screws and growers



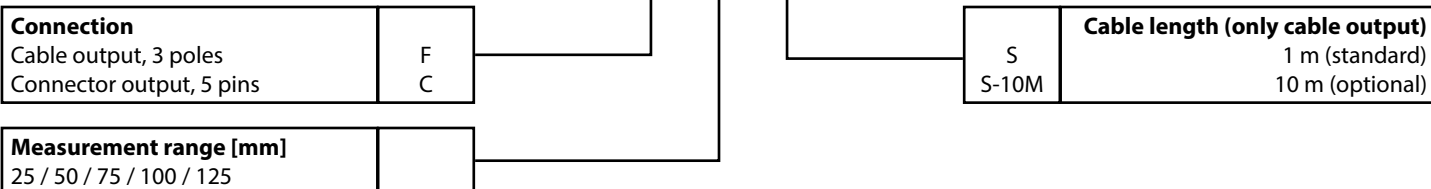
Signal conditioner PMX-24

- Converts potentiometer signals into analog output signals: 4...20 mA, 0...10 V, 0...5 V, ±10 V, ±5 V
- Input: potentiometer 1...20 kΩ
- Configurable output
- DIN-rail-mounting with face-side connector
- For more information please refer to the [PMX-24 data sheet](#).



ORDER CODE

LRW1 - [] - [] - []



ACCESSORIES

Mounting accessories

- PKIT005 ¹⁾ Mounting set: 4 x small brackets, screws, growers
- PKIT006 Mounting set: 2 x large brackets, screws, growers
- PKIT020 ¹⁾ Joint coupling

Digital displays for sensors with analog output, 2 channel

- WAY-AX-S touch screen, supply: 18...30 VDC
- WAY-AX-S-AC touch screen, supply: 115...230 VAC

For more information and options please refer to the [WAY-AX data sheet](#).

¹⁾ PKIT005 and PKIT020 are included in sensor scope of delivery.

Mating connector for self assembly for LRW1-C

- CON011 5 poles, IP40, for cable diameter 4...6 mm

Signal conditioner

- PMX-24 Output signals: 4...20 mA, 0...10 V, 0...5 V, ±10 V, ±5 V

For more information and options please refer to the [PMX-24 data sheet](#).

Subject to change without prior notice.

WayCon Positionsmesstechnik GmbH

email: info@waycon.de
internet: www.waycon.biz



Positionsmesstechnik

Head Office

Mehlbeerenstr. 4
82024 Taufkirchen
Tel. +49 (0)89 67 97 13-0
Fax +49 (0)89 67 97 13-250

Office Köln

Auf der Pehle 1
50321 Brühl
Tel. +49 (0)2232 56 79 44
Fax +49 (0)2232 56 79 45